

TERRAIN TAMER

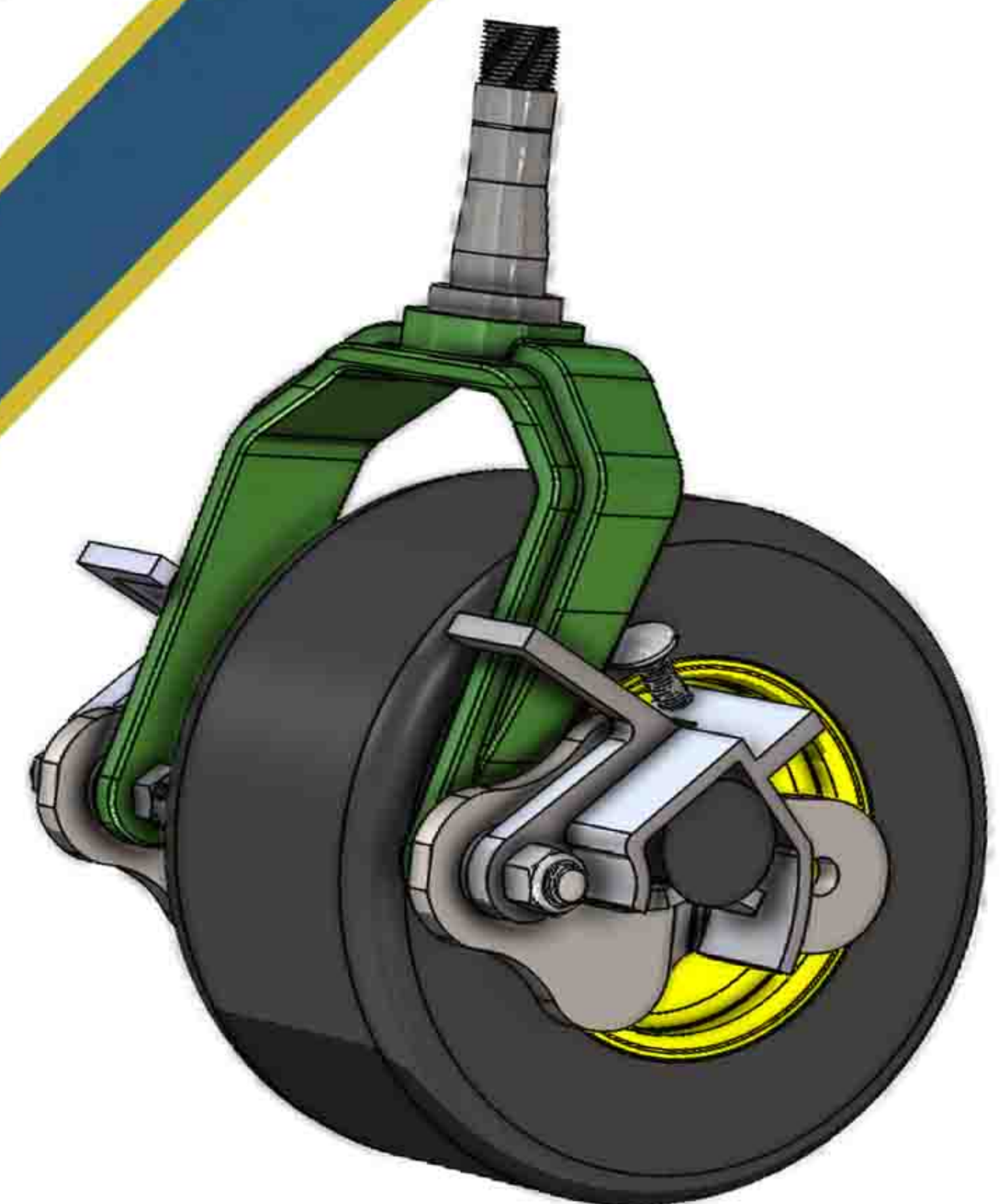
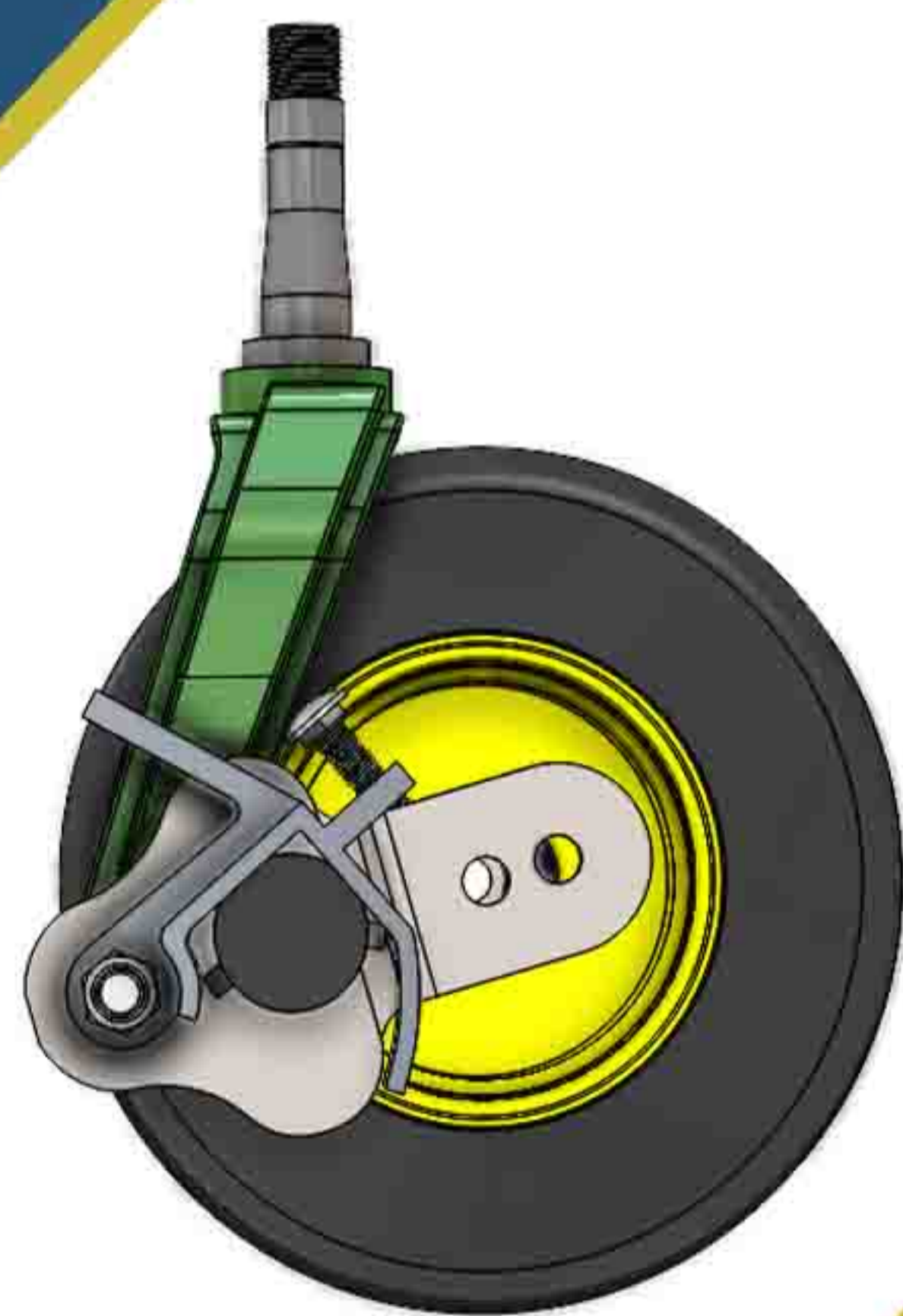
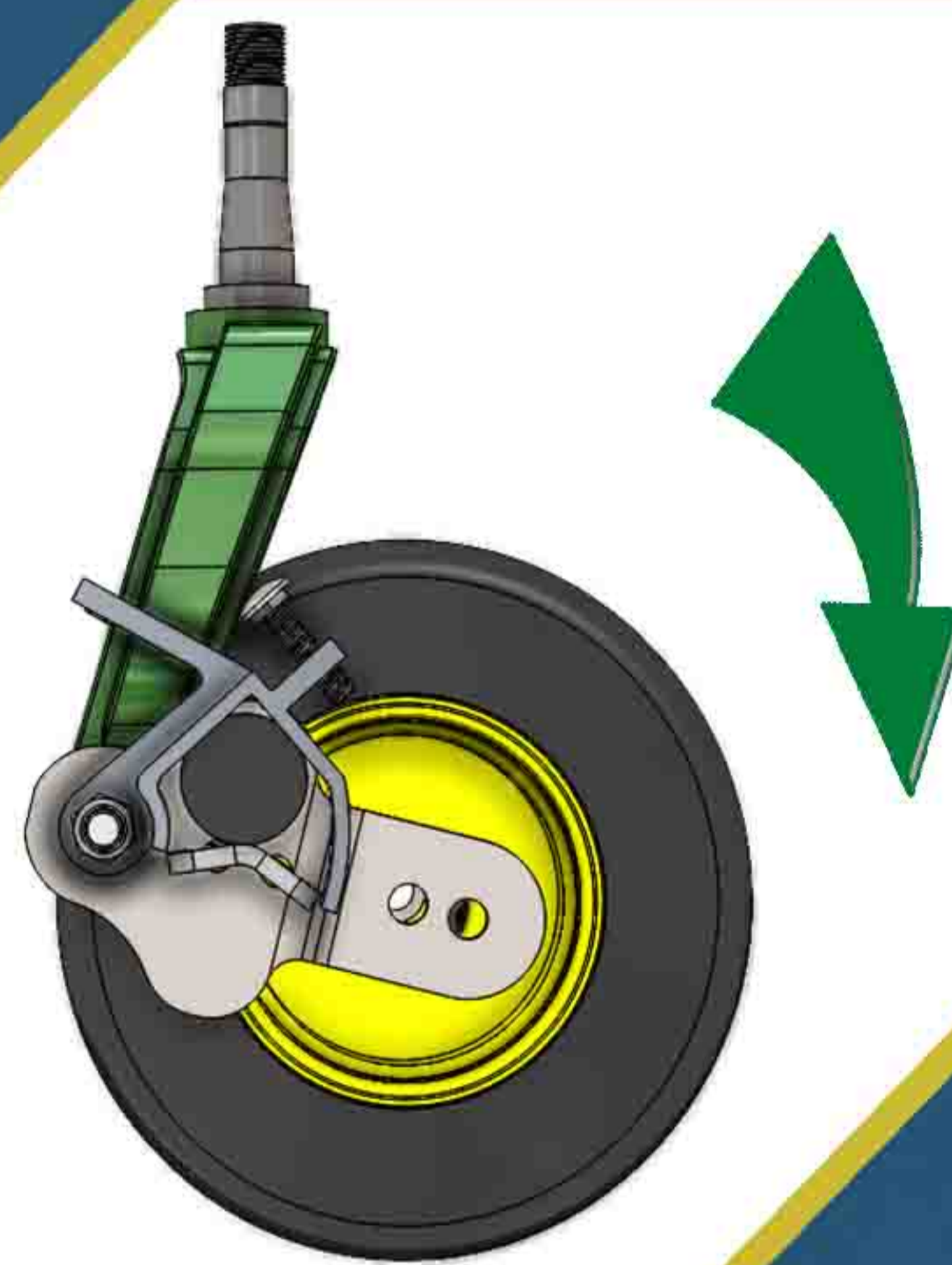
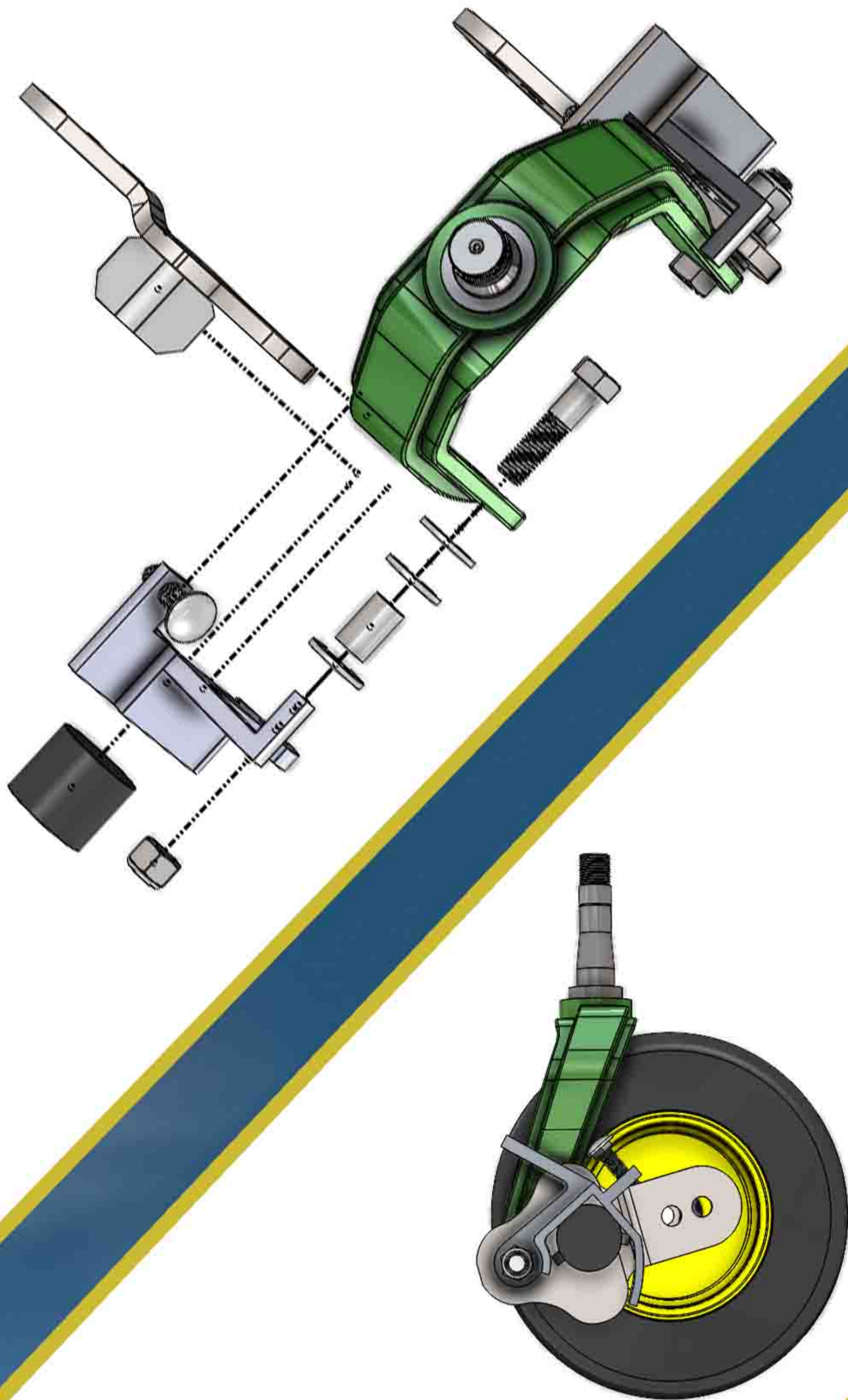


BUMPY RIDE?

47% IMPROVED RIDE

TERRAIN TAMER IS A SIMPLE RETROFIT FOR ZERO TURN MOWERS THAT PROVIDES SIGNIFICANT RIDE IMPROVEMENT AS WELL AS REDUCING FRAME STRESS.

TERRAIN TAMER ASSEMBLES TO YOUR EXISTING FRONT FORK, IN LESS THAN 15 MINUTES.



ENDURANCE TESTED FOR DURABILITY, THE COMPONENTS ARE BUILT FOR LONG DAYS FOR ESTATE AND COMMERCIAL OPERATION. WEAR PARTS ARE SERVICEABLE

DAVAUS
DRIVEN DIFFERENTLY

WWW.DAVAVUS.COM

260 254-5006